

SECTION 05: SPEEDWAY® CABLE LADDER SYSTEMS



Speedway® Cable Ladder Systems provide faster and easier installation, combined with our unique coupler locking system and comprehensive range of accessories.

Manufactured in 3 heights:

- Speedway® 4 (SW4) - 110mm overall height
- Speedway® 5 (SW5) - 125mm overall height
- Speedway® 6 (SW6) - 150mm overall height

Special Profiled Side Section:

1. Enhanced structural rigidity.
2. Increased internal width for cables.
3. High performance coupling.
4. Safety edge.

Slotted Side Section:

1. Allows faster installation as the ladder can be cut to any length and coupled without on-site drilling.
2. Fixing to ladder sides.
3. Reduced weight.

Shallow Channel Rungs:

1. The welding of the rungs to the lowest point of the side section ensures maximum loading height.
2. High strength even in the widest ladders.
3. Compatible with every known type of cleat, tie and bonding with infinite adjustment.
4. Rungs alternately inverted (on lengths) permitting suspension of light fittings etc. from underside.

ACCREDITED TO THE FOLLOWING STANDARDS:



Speedway® Cable Ladder is supplied in various materials and finishes:



Ladder & Fittings

-  Hot dip galvanized Vantrunk Structural Steel (Steel BS EN 10025-2 and Galvanising BS EN 1461)

Covers & Accessories

-  Hot dip galvanized Mild Steel (Steel BS EN 10111 and Galvanising BS EN 1461)

Ladder, Fittings, Covers & Accessories

-  Deep galvanised structural steel (Steel BS EN 10025-5 and Galvanising BE EN 1461)
-  Stainless steel grade 1.4404 (316L marine) to BS EN 10088-2

The Speedway® Cable Ladder system is subject to registered design, trademark and patent considerations and conforms to BS EN 61537.

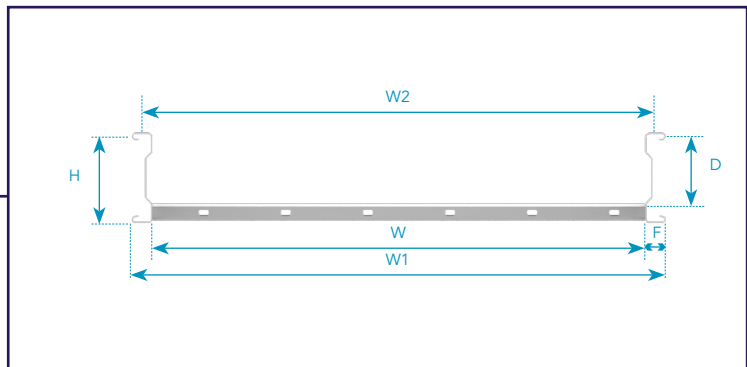
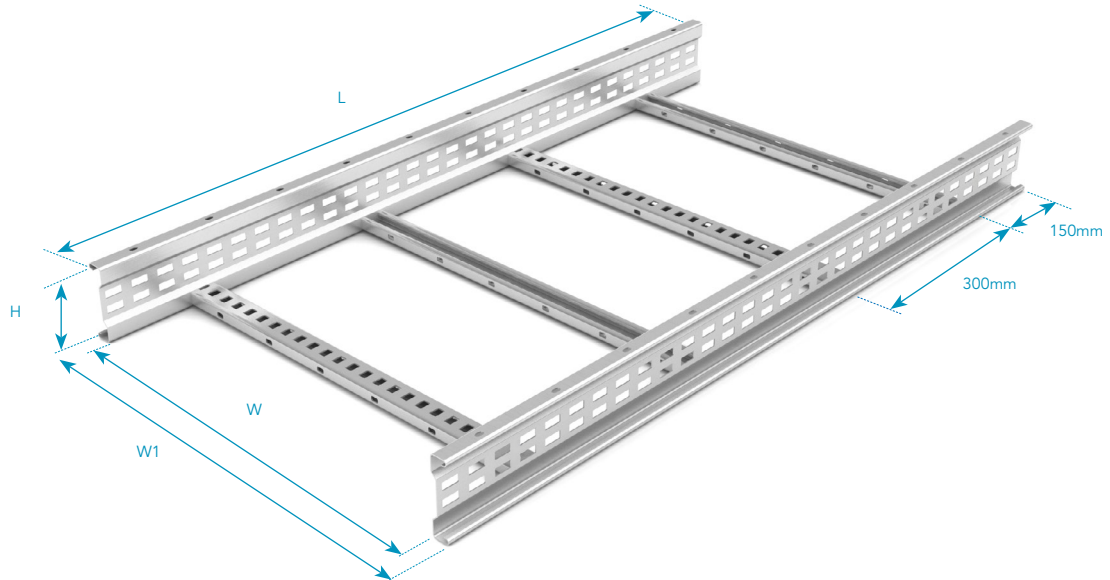


Speedway® SW4 Cable Ladder

Speedway® 4 (SW4) Medium Duty Cable Ladder is manufactured in 3m lengths as standard, 6m lengths available to order.

Available in standard widths of 150mm, 300mm, 450mm, 600mm, 750mm, 900mm and 1050mm. Widths up to 1200mm are available to order.

Rung spacing is 300mm as standard.



Part Code	No. of Rungs	Dimensions (mm)				Weight* (kg)
		W (mm)	W1 (mm)	L (mm)	H (mm)	
SW4-SL3-150-○	10	150	200	3000	110	14.26
SW4-SL3-300-○		300	350			15.92
SW4-SL3-450-○		450	500			17.59
SW4-SL3-600-○		600	650			19.25
SW4-SL3-750-○		750	800			20.92
SW4-SL3-900-○		900	950			22.58
SW4-SL3-1050-○		1050	1100			24.25

Height	H	110mm
Loading Depth	D	85mm
Ladder Width	W	100mm to 1050mm
Overall Width	W1	W + 50mm
Maximum Internal Width	W2	W + 14mm
Flange Width	F	25mm

○ = Select a finish/material (Refer to page 22)
 *Weights shown are for Hot Dip Galvanised finish only.

QuickFix Trunking

QuickFix Multi Compartment Trunking

Lighting Trunking

Uniklip Cable Tray

Speedway Cable Ladder Pre-Galv. Cable Ladder

Cable Basket Systems

Channel & Support

Accessories & Supports

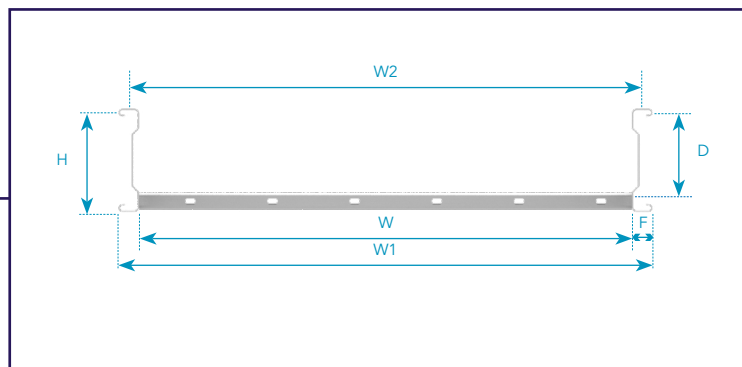
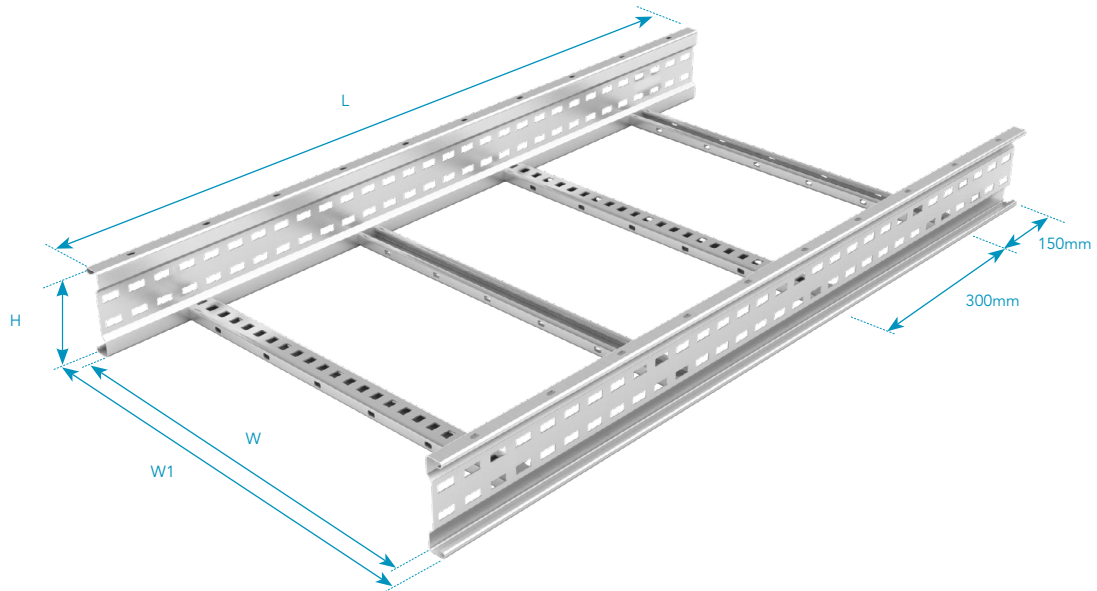
Index

SPEEDWAY® CABLE LADDER SYSTEMS

Speedway® SW5 Cable Ladder

Speedway® 5 (SW5) Heavy Duty Cable Ladder is manufactured in 3m lengths as standard, 6m lengths available to order.

Available in standard widths of 150mm, 300mm, 450mm, 600mm, 750mm, 900mm and 1050mm. Widths up to 1200mm are available to order. Rung spacing is 300mm as standard.



Part Code	No. of Rungs	Dimensions (mm)				Weight* (kg)
		W (mm)	W1 (mm)	L (mm)	H (mm)	
SW5-SL3-150-○	10	150	200	3000	125	15.3
SW5-SL3-300-○		300	350			16.96
SW5-SL3-450-○		450	500			18.63
SW5-SL3-600-○		600	650			20.29
SW5-SL3-750-○		750	800			21.96
SW5-SL3-900-○		900	950			23.62
SW5-SL3-1050-○		1050	1100			25.29

Height	H	125mm
Loading Depth	D	100mm
Ladder Width	W	100mm to 1500mm
Overall Width	W1	W + 50mm
Maximum Internal Width	W2	W + 14mm
Flange Width	F	25mm

○ = Select a finish/material (Refer to page 22)

*Weights shown are for Hot Dip Galvanised finish only.

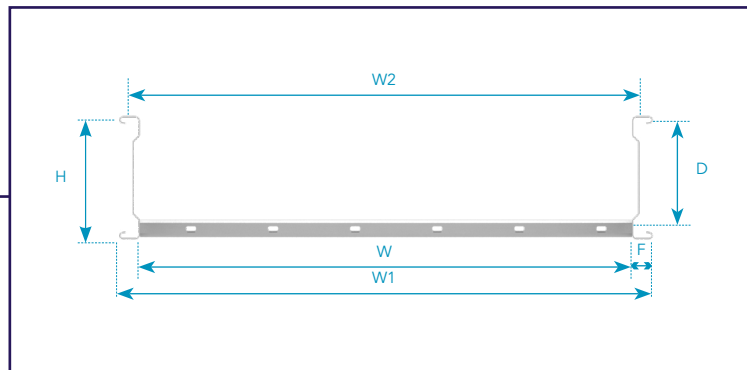
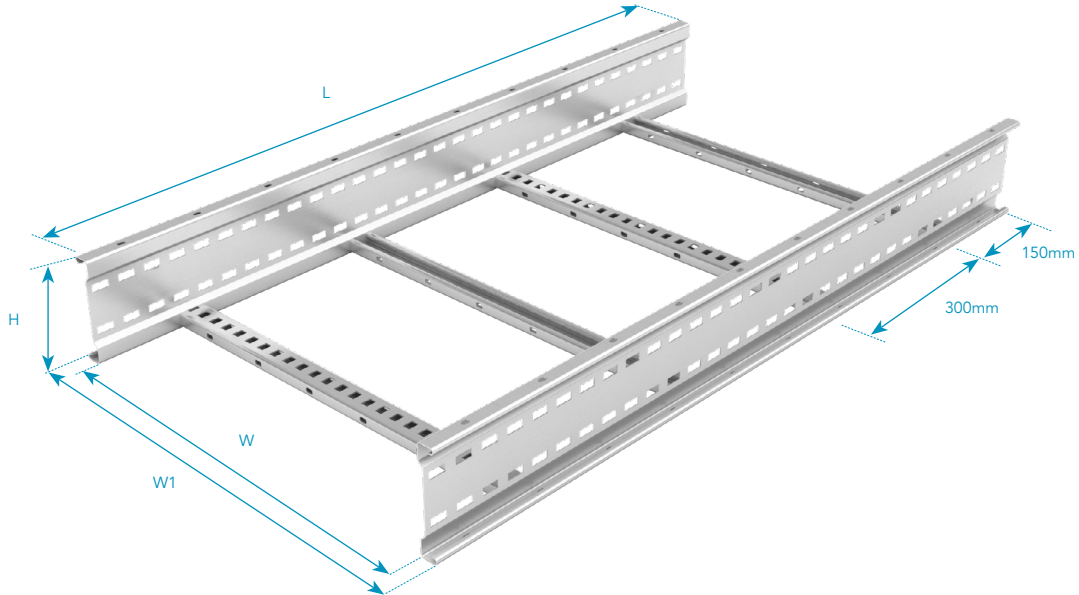


Speedway® SW6 Cable Ladder

Speedway® 6 (SW6) Extra Heavy Duty Cable Ladder is manufactured in 3m lengths as standard, 6m lengths available to order.

Available in standard widths of 150mm, 300mm, 450mm, 600mm, 750mm, 900mm and 1050mm. Widths up to 1200mm are available to order.

Rung spacing is 300mm as standard.



Part Code	No. of Rungs	Dimensions (mm)				Weight* (kg)
		W (mm)	W1 (mm)	L (mm)	H (mm)	
SW6-SL3-150-○	10	150	200	3000	150	17.34
SW6-SL3-300-○		300	350			19
SW6-SL3-450-○		450	500			20.67
SW6-SL3-600-○		600	650			22.33
SW6-SL3-750-○		750	800			24
SW6-SL3-900-○		900	950			25.66
SW6-SL3-1050-○		1050	1100			27.33

Height	H	150mm
Loading Depth	D	125mm
Ladder Width	W	100mm to 1500mm
Overall Width	W1	W + 50mm
Maximum Internal Width	W2	W + 14mm
Flange Width	F	25mm

○ = Select a finish/material (Refer to page 22)

*Weights shown are for Hot Dip Galvanised finish only.

QuickFix Trunking

QuickFix Multi Compartment Trunking

Lighting Trunking

Uniklip Cable Tray

Speedway Cable Ladder Pre-Galv. Cable Ladder

Cable Basket Systems

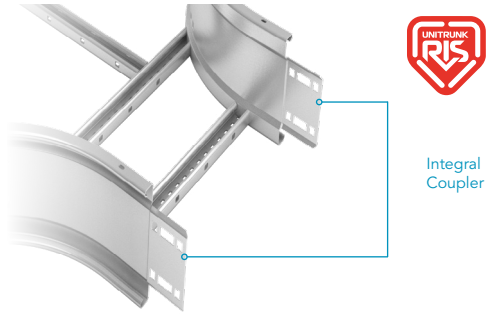
Channel & Support

Accessories & Supports

Index

Cable Ladder Fitting with Integral Coupler

This fast-fitting system offers significant cost saving through reduction of the number of couplers and fixings required. The integral coupler has a formed shape which increases strength and rigidity, and reduces joint hinging.



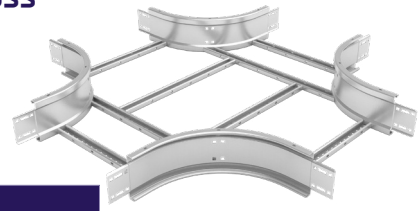
Flat Elbow 30°, 45°, 60° & 90°



Part Code

SW Δ -FE Angle-Width-Radius-Finish

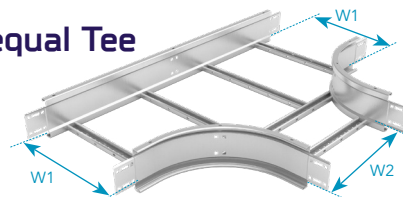
Equal Cross



Part Code

SW Δ -EC-Width-Radius-Finish

Equal/Unequal Tee



Part Code

Type

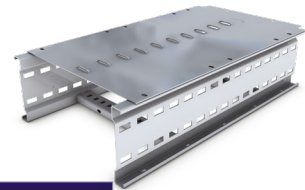
SW Δ -ET-Width-Radius-Finish

Equal

SW Δ -UT-W1-W2-Radius-Finish

Unequal

Covers



Part Code

Type

SW Δ -CC-SL1.5-Width-Finish

Closed

SW Δ -CL-SL1.5-Width-Finish

Louvered

Supplied with fixings. Straight ladder covers are supplied in 1.5m lengths.

Riser (Outside) 30°, 45°, 60° & 90°



Part Code

SW Δ -OR Angle-Width-Radius-Finish

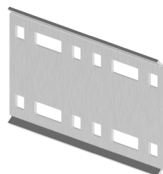
Riser (Inside) 30°, 45°, 60° & 90°



Part Code

SW Δ -IR Angle-Width-Radius-Finish

Straight Coupler

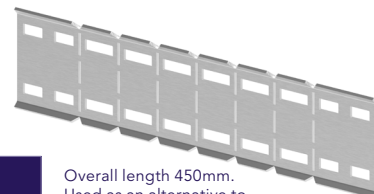


Part Code

SW Δ -CS-Finish

Sold in pairs. Supplied with fixings. 1 Pair per ladder.

Long Adjustable Coupler



Part Code

SW Δ -LAC-Finish

Overall length 450mm. Used as an alternative to Reducers and Unequal Tees. Supplied with fixings.

Δ = Select a system type

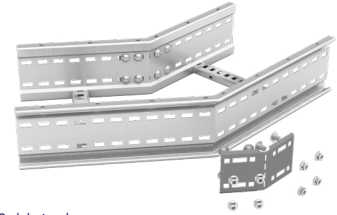
Vertical Adjustable Coupler



Part Code
SW△-VAC-Finish

Sold singly. Each supplied with fixings.
Identical for SW4 & SW5 - order as: SW4-5-vac-finish.
For SW6 order as: SW6-vac-finish.

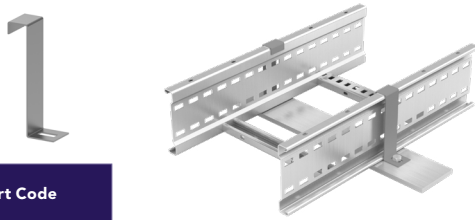
Horizontal Adjustable Coupler



Part Code
SW△-HAC-Finish

Sold singly.
Each supplied with fixings.

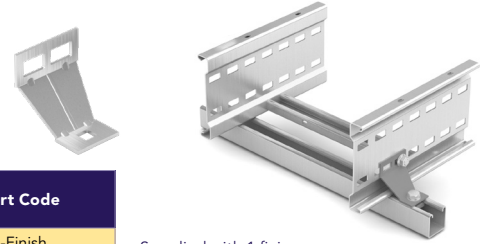
Hold-Down Bracket



Part Code
SW△-HDB-Finish

Fixings ordered separately.

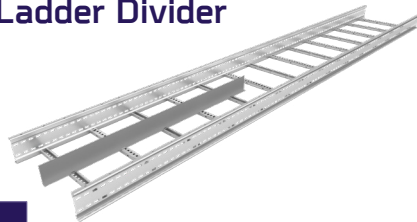
Adjustable Fixing Bracket



Part Code
SW-afb-Finish

Supplied with 1 fixing.

Straight Ladder Divider



Part Code
SW△-DIV-SL1.5-Finish

Straight ladder dividers are 1.5m long.
Fixings ordered separately.

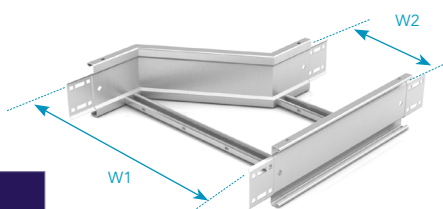
External Flange Clamp



Part Code
SW-EFC-Finish

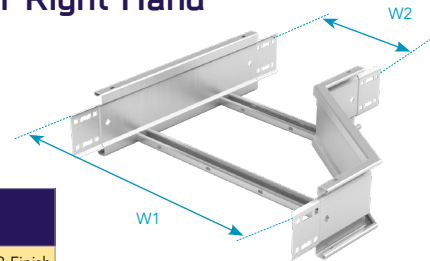
Fixings ordered separately.

Reducer Left Hand



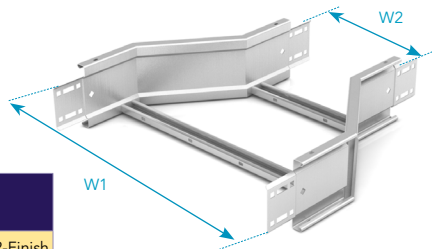
Part Code
SW△-RL-W1-W2-Finish

Reducer Right Hand



Part Code
SW△-RR-W1-W2-Finish

Straight Reducer



Part Code
SW△-RS-W1-W2-Finish

△ = Select a system type

QuickFix Trunking

QuickFix Multi Compartment Trunking

Lighting Trunking

Uniklip Cable Tray

Speedway Cable Ladder Pre-Galv. Cable Ladder

Cable Basket Systems

Channel & Support

Accessories & Supports

Index

Ladder Fixing Kit

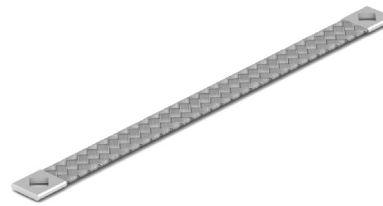


Part Code

VSFK/G

Sold in packs of 8.

Earth Braid



Designed for use in installations where an additional means of earthing or electrical bonding is specified.

Part Code

EBS-01 (M10 BRAID)

Comprised of a 16mm² tinned copper braid crimped into M10 tinned copper end connectors.
The Speedway® Earth Braid/Bonding Strap is compatible with Speedway® SW4, SW5 & SW6.

Loading Data

The below table information is indicative of the performance of Speedway® SW4, SW5 and SW6 Cable Ladder in a typical continuous beam installation.

The loading figures have been determined by actual load tests in accordance with BS EN 61537.

For detailed loading data please contact our technical department via technicalsupport@unitrunk.co.uk.

System Type	Safe Working Load (kg/m)								
	2.0m	2.5m	3.0m	3.5m	4.0m	4.5m	5.0m	5.5m	6.0m
Speedway® SW4	293	293	293	293	185	-	-	-	-
Speedway® SW5	-	-	293	293	224	175	140	-	-
Speedway® SW6	-	-	-	-	293	230	185	151	125