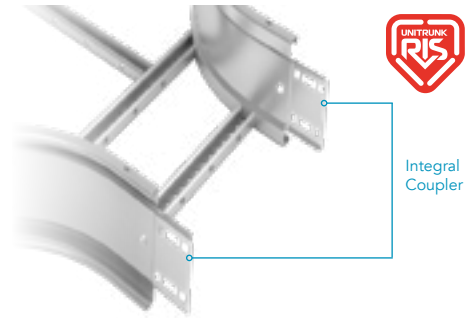


SPEEDWAY® PRE-GALV. CABLE LADDER SYSTEMS

Pre-Galvanised Cable Ladder Fitting with Integral Coupler

This fast-fitting system offers significant cost savings through reduction in the number of couplers and fixings required. The integral coupler has a formed shape which increases strength and rigidity, and reduces joint hinging.



Flat Elbow 30°, 45°, 60° & 90°



Part Code

SW△-FE Angle-Width-Radius-QQ

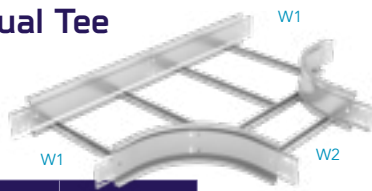
Equal Cross



Part Code

SW△-C-Width-Radius-QQ

Equal/Unequal Tee



Part Code

Type

SW△-ET-Width-Radius-QQ

Equal

SW△-UT-W1-W2-Radius-QQ

Unequal

Covers



Part Code

Type

SW△-CC-SL1.5-Width-QQ

Closed

SW△-CL-SL1.5-Width-QQ

Louvered

Supplied with fixings. Straight ladder covers are supplied in 1.5m lengths.

Riser (Outside) 30°, 45°, 60° & 90°



Part Code

SW△-OR Angle-Width-Radius-QQ

Short Adjustable Coupler



Part Code

Overall length 300mm. Used as an alternative to Reducers and Unequal Tees. Supplied with fixings.

SW△-SAC-QQ

Riser (Inside) 30°, 45°, 60° & 90°



Part Code

SW△-IR Angle-Width-Radius-QQ

Straight Coupler



Code

Sold in pairs. Supplied with fixings. 1 Pair per ladder.

SW△-CS-QQ

△ = Select a system type