

# SECTION 05: SPEEDWAY PRE-GALV. CABLE LADDER SYSTEMS



The Speedway® family is growing.  
Speedway® Cable Ladder is now available in Pre-Galvanised Steel (QQ).

The newly added material choice offers greater flexibility, enabling contractors to choose the most suitable material based on the specific requirements of each project.

Featuring the original Speedway® Cable Ladder design benefits including:

- Special Profiled Side Section
- Slotted Side Section
- Shallow Channel Rungs

Manufactured in 3 heights:

- Speedway® 4 (SW4) Pre-Galv. - 100mm overall height
- Speedway® 5 (SW5) Pre-Galv. - 125mm overall height
- Speedway® 6 (SW6) Pre-Galv. - 150mm overall height

Ladder, Fittings, Covers & Accessories

 Pre-Galvanised Structural Steel (BS EN 10346)

Speedway® Pre-Galvanised Cable Ladder is ideally suited for areas with low levels of atmospheric corrosion. It has been tested in accordance with BS EN 61537.



ACCREDITED TO THE FOLLOWING STANDARDS:



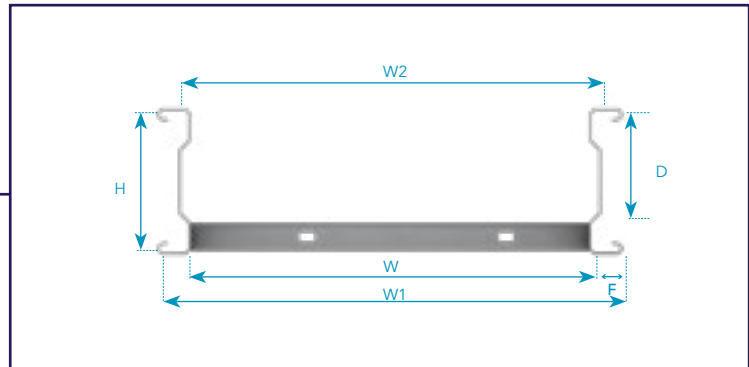
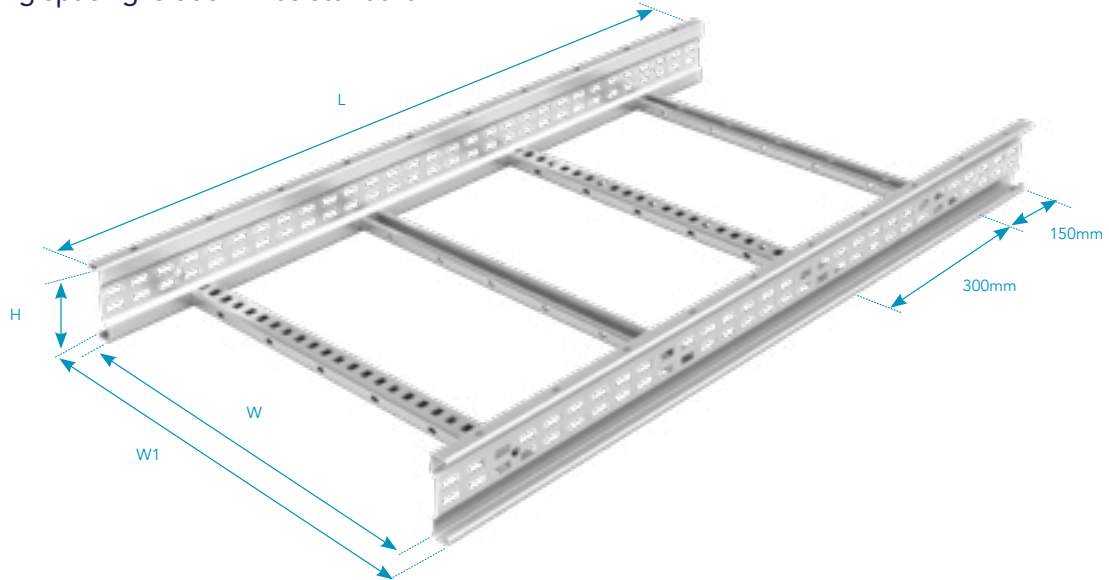
**Speedway® SW4 Pre-Galvanised Cable Ladder**

Speedway® 4 SW4 Pre-Galv. Medium Duty Cable Ladder is manufactured in 3m lengths as standard, 6m lengths available to order.

The cable ladder is available in standard widths of 150mm, 300mm, 450mm, 600mm, 750mm, 900mm and 1050mm.

Additional widths are available on request.

Rung spacing is 300mm as standard.



Part Code	No. of Rungs	Dimensions (mm)				Weight (kg)
		W	W1	L	H	
SW4-SL3-150-QQ	10	150	200	3000	100	12.39
SW4-SL3-300-QQ		300	350			13.89
SW4-SL3-450-QQ		450	500			15.38
SW4-SL3-600-QQ		600	650			16.88
SW4-SL3-750-QQ		750	800			18.38
SW4-SL3-900-QQ		900	950			19.88
SW4-SL3-1050-QQ		1050	1100			21.38

Height	H	100mm
Loading Depth	D	75mm
Ladder Width	W	100mm to 1050mm
Overall Width	W1	W + 50mm
Maximum Internal Width	W2	W + 14mm
Flange Width	F	25mm

QuickFix Trunking

QuickFix Multi Compartment Trunking

Lighting Trunking

Uniklip Cable Tray

Speedway Cable Ladder Pre-Galv. Cable Ladder

Cable Basket Systems

Channel & Support

Floor Trunking

Bench Outlet & Perimeter Trunking

Steel Conduit (Class 4)

Innovative Design Solutions

Accessories & Supports

Index