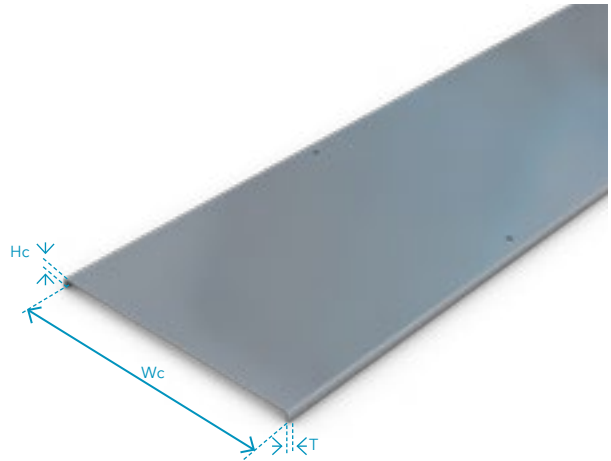


Straight Tray Covers

Unitrunk straight tray covers are 3m in length and are available in widths of 50mm to 900mm as standard. Covers are common for both closed and ventilated applications.

Straight Tray Covers - Dimensions & Weights

Ref.	Tray Width (mm)	Width - Wc (mm)	Height - Hc (mm)	Weight (kg)
CR50T	50	61	11.9	2.51
CR75T	75	86	11.9	3.17
CR100T	100	111	11.9	3.92
CR150T	150	161	11.9	5.43
CR225T	225	236	11.9	7.70
CR300T	300	311	12.2	9.96
CR450T	450	461	12.5	18.13
CR600T	600	611	12.5	23.78
CR750T	750	761	12.5	29.47
CR900T	900	911	12.5	35.12



Weights shown are for standard pre-galvanised finish .

Cable Tray Fitting Covers

Unitrunk cable tray fitting covers are available in widths of 50mm to 900mm as standard. Covers are common for both closed and ventilated applications.



Cover Fixing Kits

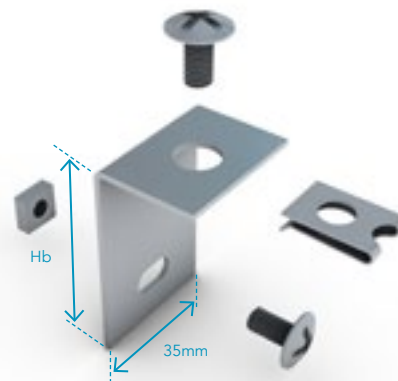
Covers for straight cable tray and cable tray fittings are supplied with the appropriate number of cover fixing kits as follows.

Each cover fixing kit is supplied with the appropriate cover fixing bracket for either a non-ventilated cover or ventilated cover based on the part number ordered. (For dimensions of the cover fixing brackets please see table).

Cover Fixing Kit Requirements

Tray & Fitting Type	Width (mm)		
	50-150	225-450	600-900
Straight Tray	6	6	6
90° Flat Elbows	3	4	6
60° Flat Elbows	3	4	6
45° Flat Elbows	3	3	3
30° Flat Elbows	3	3	3
Inside Risers	4	4	4
Outside Risers	4	4	4
Equal Tees	3	4	5
Unequal Tees*	3	4	5
Equal Crosses	4	4	4
Reducers	4	4	4

*Based on largest branch size



Part Code	Cover Type	Bracket Height Hb (mm)
BKT28-KIT	Medium duty closed covers	28
BKT53-KIT	Medium duty ventilated covers	53
BKT53-KIT	Heavy duty closed covers	53
BKT78-KIT	Heavy duty ventilated covers	78