

SECTION 05: SPEEDWAY PRE-GALV. CABLE LADDER SYSTEMS



The Speedway® family is growing.
Speedway® Cable Ladder is now available in Pre-Galvanised Steel (QQ).

The newly added material choice offers greater flexibility, enabling contractors to choose the most suitable material based on the specific requirements of each project.

Featuring the original Speedway® Cable Ladder design benefits including:

- Special Profiled Side Section
- Slotted Side Section
- Shallow Channel Rungs

Manufactured in 3 heights:

- Speedway® 4 (SW4) Pre-Galv. - 100mm overall height
- Speedway® 5 (SW5) Pre-Galv. - 125mm overall height
- Speedway® 6 (SW6) Pre-Galv. - 150mm overall height

Ladder, Fittings, Covers & Accessories

 Pre-Galvanised Structural Steel (BS EN 10346)

Speedway® Pre-Galvanised Cable Ladder is ideally suited for areas with low levels of atmospheric corrosion. It has been tested in accordance with BS EN 61537.



ACCREDITED TO THE FOLLOWING STANDARDS:



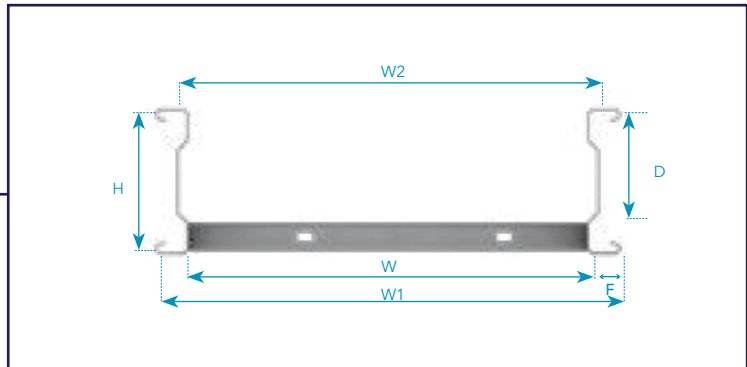
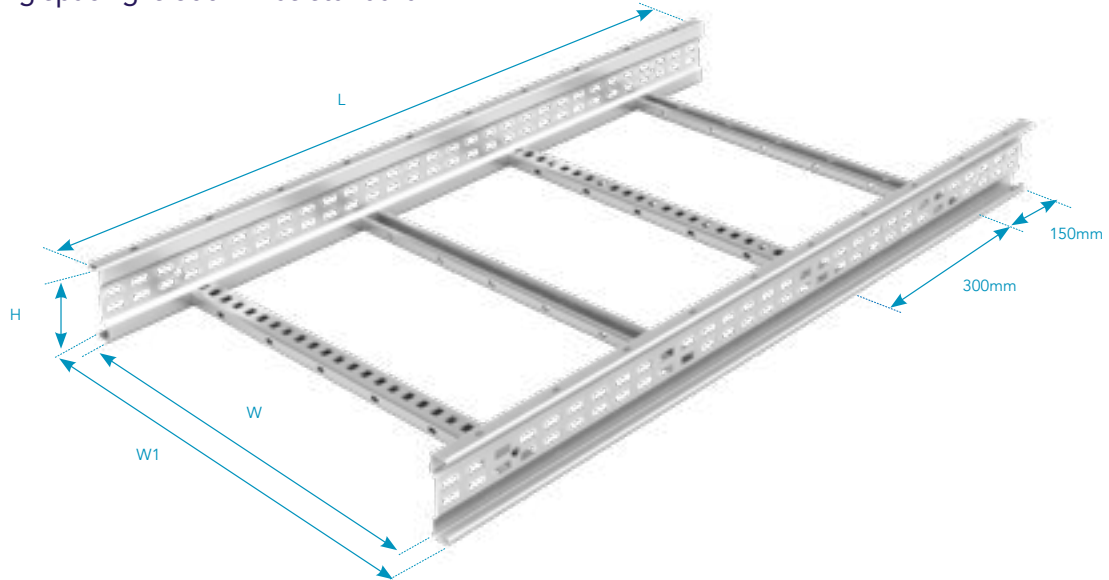
Speedway® SW4 Pre-Galvanised Cable Ladder

Speedway® 4 SW4 Pre-Galv. Medium Duty Cable Ladder is manufactured in 3m lengths as standard, 6m lengths available to order.

The cable ladder is available in standard widths of 150mm, 300mm, 450mm, 600mm, 750mm, 900mm and 1050mm.

Additional widths are available on request.

Rung spacing is 300mm as standard.



Part Code	No. of Rungs	Dimensions (mm)				Weight (kg)
		W	W1	L	H	
SW4-SL3-150-QQ	10	150	200	3000	100	12.39
SW4-SL3-300-QQ		300	350			13.89
SW4-SL3-450-QQ		450	500			15.38
SW4-SL3-600-QQ		600	650			16.88
SW4-SL3-750-QQ		750	800			18.38
SW4-SL3-900-QQ		900	950			19.88
SW4-SL3-1050-QQ		1050	1100			21.38

Height	H	100mm
Loading Depth	D	75mm
Ladder Width	W	100mm to 1050mm
Overall Width	W1	W + 50mm
Maximum Internal Width	W2	W + 14mm
Flange Width	F	25mm

QuickFix Trunking

QuickFix Multi Compartment Trunking

Lighting Trunking

Uniklip Cable Tray

Speedway Cable Ladder Pre-Galv. Cable Ladder

Cable Basket Systems

Channel & Support

Floor Trunking

Bench Outlet & Perimeter Trunking

Steel Conduit (Class 4)

Innovative Design Solutions

Accessories & Supports

Index

SPEEDWAY® PRE-GALV. CABLE LADDER SYSTEMS

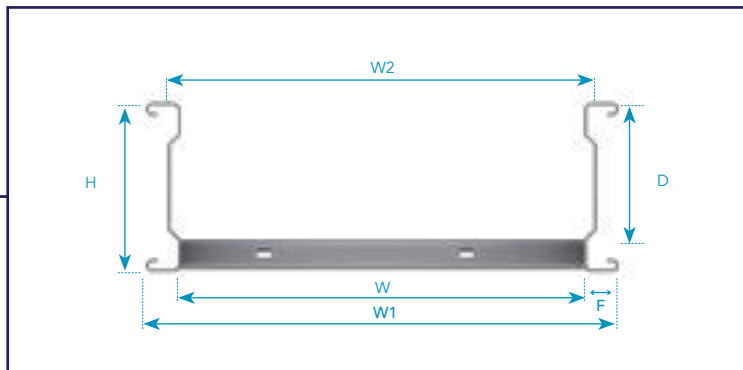
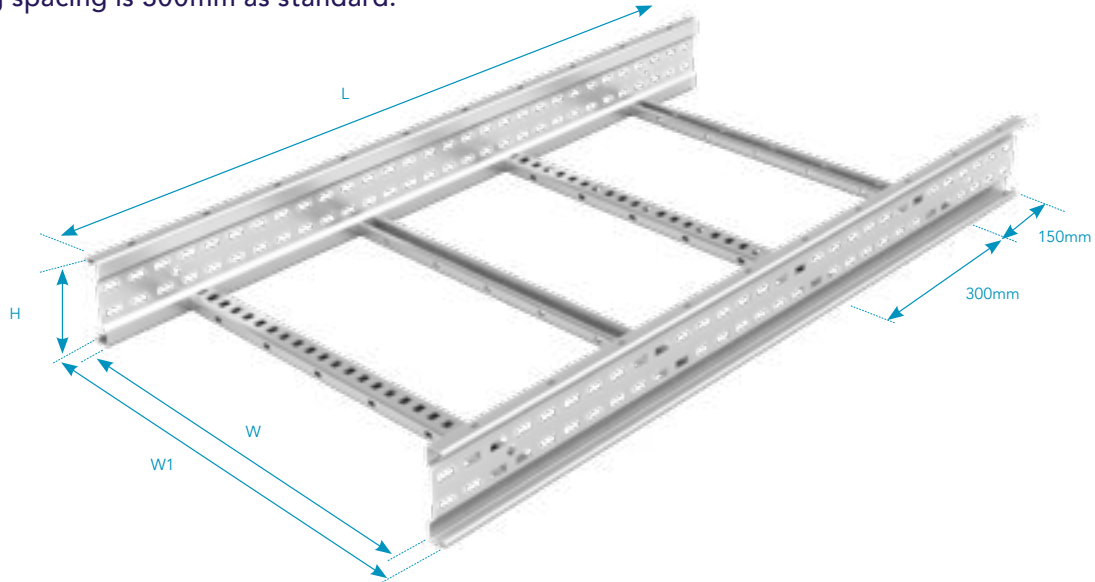
Speedway® SW5 Pre-Galvanised Cable Ladder

Speedway® 5 (SW5) Pre-Galv. Heavy Duty Cable Ladder is manufactured in 3m lengths as standard, 6m lengths available to order.

The cable ladder is available in standard widths of 150mm, 300mm, 450mm, 600mm, 750mm, 900mm and 1050mm.

Additional widths are available on request.

Rung spacing is 300mm as standard.



Part Code	No. of Rungs	Dimensions (mm)				Weight (kg)
		W	W1	L	H	
SW5-SL3-150-QQ	10	150	200	3000	125	13.86
SW5-SL3-300-QQ		300	350			15.35
SW5-SL3-450-QQ		450	500			16.86
SW5-SL3-600-QQ		600	650			18.36
SW5-SL3-750-QQ		750	800			19.86
SW5-SL3-900-QQ		900	950			21.36
SW5-SL3-1050-QQ		1050	1100			22.85

Height	H	125mm
Loading Depth	D	100mm
Ladder Width	W	100mm to 1050mm
Overall Width	W1	W + 50mm
Maximum Internal Width	W2	W + 14mm
Flange Width	F	25mm

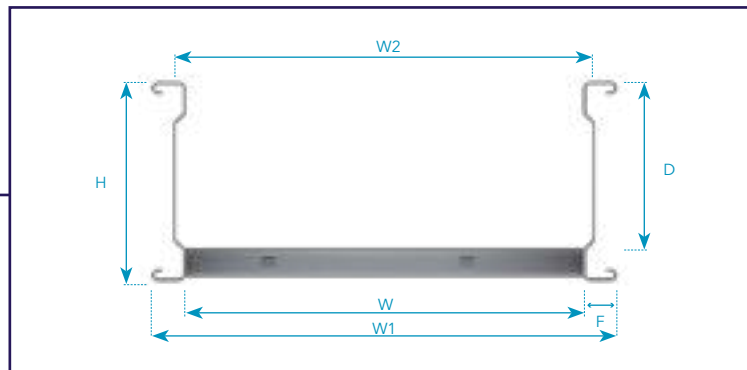
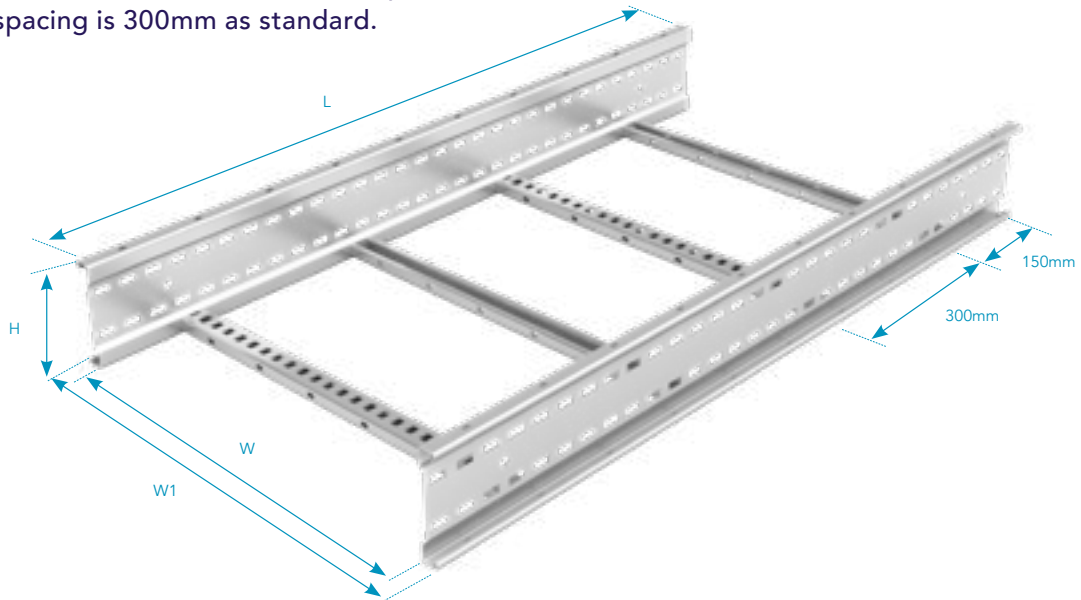
Speedway® SW6 Pre-Galvanised Cable Ladder

Speedway® 6 (SW6) Pre-Galv. Extra Heavy Duty Cable Ladder is manufactured in 3m lengths as standard, 6m lengths available to order.

The cable ladder is available in standard widths of 150mm, 300mm, 450mm, 600mm, 750mm, 900mm and 1050mm.

Additional widths are available on request.

Rung spacing is 300mm as standard.

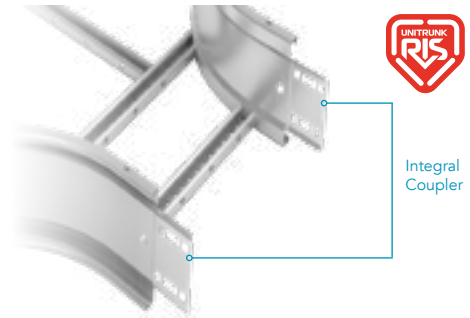


Part Code	No. of Rungs	Dimensions (mm)				Weight (kg)
		W	W1	L	H	
SW6-SL3-150-QQ	10	150	200	3000	150	15.63
SW6-SL3-300-QQ		300	350			17.13
SW6-SL3-450-QQ		450	500			18.63
SW6-SL3-600-QQ		600	650			20.12
SW6-SL3-750-QQ		750	800			21.62
SW6-SL3-900-QQ		900	950			23.12
SW6-SL3-1050-QQ		1050	1100			24.62

Height	H	150mm
Loading Depth	D	125mm
Ladder Width	W	100mm to 1050mm
Overall Width	W1	W + 50mm
Maximum Internal Width	W2	W + 14mm
Flange Width	F	25mm

Pre-Galvanised Cable Ladder Fitting with Integral Coupler

This fast-fitting system offers significant cost savings through reduction in the number of couplers and fixings required. The integral coupler has a formed shape which increases strength and rigidity, and reduces joint hinging.



Flat Elbow 30°, 45°, 60° & 90°



Part Code

SW△-FE Angle-Width-Radius-QQ

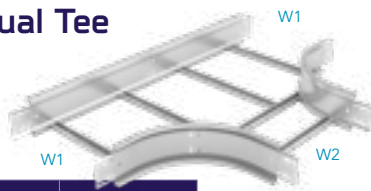
Equal Cross



Part Code

SW△-C-Width-Radius-QQ

Equal/Unequal Tee



Part Code

Type

SW△-ET-Width-Radius-QQ

Equal

SW△-UT-W1-W2-Radius-QQ

Unequal

Covers



Part Code

Type

SW△-CC-SL1.5-Width-QQ

Closed

SW△-CL-SL1.5-Width-QQ

Louvered

Supplied with fixings. Straight ladder covers are supplied in 1.5m lengths.

Riser (Outside) 30°, 45°, 60° & 90°



Part Code

SW△-OR Angle-Width-Radius-QQ

Short Adjustable Coupler



Part Code

Overall length 300mm. Used as an alternative to Reducers and Unequal Tees. Supplied with fixings.

SW△-SAC-QQ

Riser (Inside) 30°, 45°, 60° & 90°



Part Code

SW△-IR Angle-Width-Radius-QQ

Straight Coupler



Code

Sold in pairs. Supplied with fixings. 1 Pair per ladder.

SW△-CS-QQ

△ = Select a system type

Long Adjustable Coupler



Part Code
SW△-LAC-QQ

Overall length 450mm.
Used as an alternative to Reducers and Unequal Tees.
Supplied with fixings.

Adjustable Fixing Bracket



Part Code
SW-AFB-QQ

Supplied with 1 fixing.

External Flange Clamp



Part Code
SW-EFC-QQ

Fixings ordered separately.

Horizontal Adjustable Coupler



Part Code
SW△-HAC-QQ

Each supplied with fixings.

Hold-Down Bracket



Part Code
SW△-HDB-QQ

Fixings ordered separately.

Vertical Adjustable Coupler



Part Code
SW△-VAC-QQ

Each supplied with fixings.
For SW4 & SW5 order as: SW4-5-vac-finish.
For SW6 order as: SW6-vac-finish.

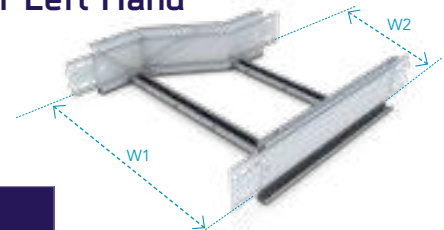
Straight Ladder Divider



Part Code
SW△-DIV-SL1.5-QQ

Straight ladder dividers are 1.5m long.
Fixings ordered separately.

Reducer Left Hand



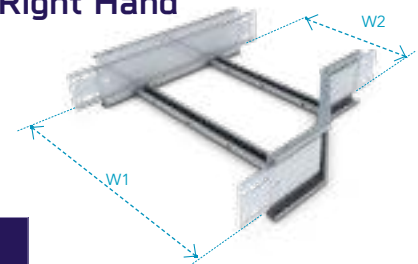
Part Code
SW△-RL-W1-W2-QQ

Straight Reducer



Part Code
SW△-RS-W1-W2-QQ

Reducer Right Hand



Part Code
SW△-RR-W1-W2-QQ

△ = Select a system type

SPEEDWAY® PRE-GALV. CABLE LADDER SYSTEMS

Ladder Fixing Kit



Code

VSFK/QQ

Sold in packs of 8.

Earth Braid



Designed for use in installations where an additional means of earthing or electrical bonding is specified.

Comprised of a 16mm² tinned copper braid crimped into M10 tinned copper end connectors.

The Speedway® Earth Braid/Bonding Strap is compatible with Speedway® SW4, SW5 & SW6.

Code	Description
EBS-01	M10 Braid (suitable for SW5 & SW6)
EBS-M8-01	M8 Braid (suitable for SW4)

Pre-punched holes for fixing the earth bonding strap are located at each end of the ladder and fittings.

Standard Material Gauges & Loading Data

Ladder Type	Material & Finish	Sidewall Gauge (mm)	Rung Gauge (mm)						Loading Capacity (kg/m)				
			150	300	450	600	750	900	1.0m span	1.5m span	2.0m span	2.5m span	3.0m span
Speedway® SW4	QQ	1.5	1.5						233	233	233	233	233
Speedway® SW5	QQ	1.5	1.5						234	234	234	234	234
Speedway® SW6	QQ	1.5	1.5						235	235	235	235	235

QQ - Pre-Galvanised Steel

The Speedway® cable ladder system is also available in a combination of side wall gauges (1.5mm & 2.0mm) and rung gauges (1.5mm, 2.0mm, 2.5mm) to suit specific installation requirements.

Consult our Design Team for guidance on the correct selection of material gauge combinations.

Cable Ladder Lighting Accessories

See page 79 for a full range of Lighting Accessories compatible with Speedway® Cable Ladder.





- QuickFix Trunking
- QuickFix Multi Compartment Trunking
- Lighting Trunking
- Uniklip Cable Tray
- Speedway Cable Ladder Pre-Galv. Cable Ladder
- Cable Basket Systems
- Channel & Support
- Floor Trunking
- Bench Outlet & Perimeter Trunking
- Steel Conduit (Class 4)
- Innovative Design Solutions
- Accessories & Supports
- Index

CLIENT



QUINTAIN

£2.5bn
Investment to date

M&E Contractor:
Irwin M&E

BACKGROUND

Quintain's 85 acre development in North West London has secured outline planning permission consent for 10.3m sq. ft. of mixed-use development. This has included 8,400 new homes to date.

"A quality finish was extremely important on this job as the containment was actually used as a design feature of the modern, loft-styling of the accommodation. The black powder coated finish used in the communal areas really achieved the dramatic look our client had hoped to create."

**Chris Adams, Divisional Director
Irwin M&E**

PRODUCTS SUPPLIED



**EASYCONNECT
BASKET**



**UNITRUNK
TRUNKING**



**UNIKLIP
TRAY**