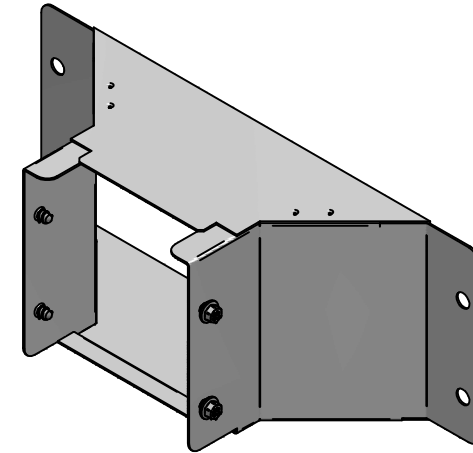
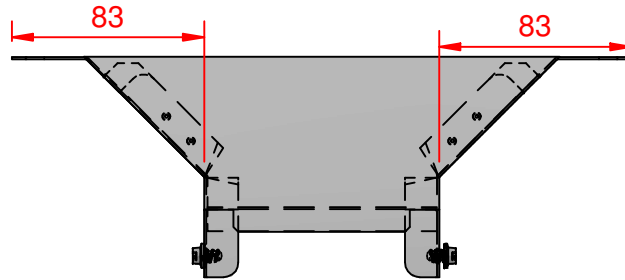
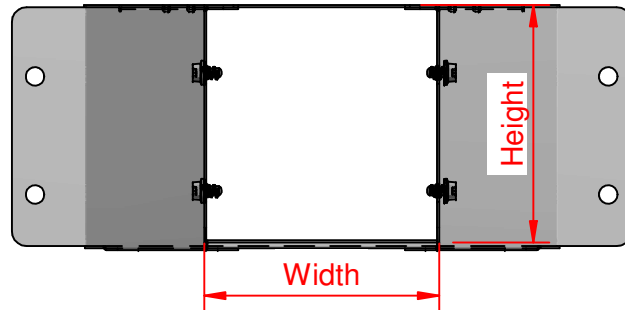




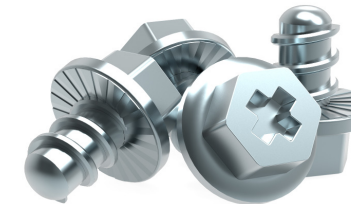
QuickFix



Size	Width	Height
FF22	50.8	50.8
FF32	76.2	50.8
FF33	76.2	76.2
FF42	101.6	50.8
FF43	101.6	76.2
FF44	101.6	101.6
FF62	152.4	50.8
FF63	152.4	76.2
FF64	152.4	101.6
FF66	152.4	152.4
FF82	203.2	50.8
FF83	203.2	76.2
FF84	203.2	101.6
FF88	203.2	203.2
FF92	228.6	50.8
FF93	228.6	76.2
FF94	228.6	101.6
FF96	228.6	152.4
FF99	228.6	228.6



- ✓ Fast fitting **UniBolt** reduces installation time by as much as 80%
- ✓ **IP4X compliant** as standard
- ✓ **Completes the range** of fast fitting and innovative Cable Management Solutions



In accordance with Unitrunk's policy of continuous improvement, Unitrunk reserves the right to change specifications and designs without notice. Data is the copyright of Unitrunk Ltd and not to be reproduced or passed to a third party without written consent.

Cable Trunking & Ducting Standard BS EN 50085-1 & BS EN 50085-2-1	Material Standard BS EN 10346 (Pre Galv)		Quality Recognition	
	Unitrunk Head Office: 4 Altona Road, Lisburn, BT27 5QB +44 28 9262 5100 info@unitrunk.co.uk unitrunk.co.uk unitrunk.ie	Lid Fixing Retained Toggle	Torque Value 3 N m	
	Data Sheet Reference Flared Flange	Revision 2.01		



UNITRUNK