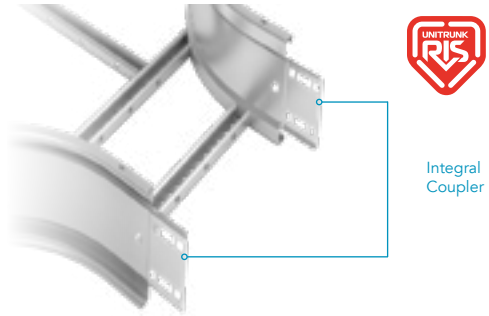


## Cable Ladder Fitting with Integral Coupler

This fast-fitting system offers significant cost saving through reduction of the number of couplers and fixings required. The integral coupler has a formed shape which increases strength and rigidity, and reduces joint hinging.



Integral Coupler

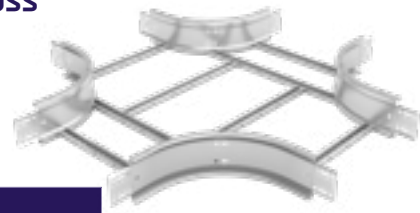
## Flat Elbow 30°, 45°, 60° & 90°



Code

SW△-FE Angle-Width-Radius-Finish

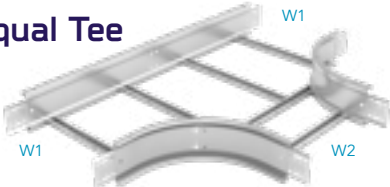
## Equal Cross



Code

SW△-EC-Width-Radius-Finish

## Equal/Unequal Tee



Code

Type

SW△-ET-Width-Radius-Finish

Equal

SW△-UT-W1-W2-Radius-Finish

Unequal

## Covers



Code

Type

SW△-CC-SL1.5-Width-Finish

Closed

SW△-CL-SL1.5-Width-Finish

Louvered

Supplied with fixings. Straight ladder covers are supplied in 1.5m lengths.

## Riser (Outside) 30°, 45°, 60° & 90°



Code

SW△-OR Angle-Width-Radius-Finish

## Short Adjustable Coupler



Code

SW△-SAC-Finish

Overall length 300mm. Used as an alternative to Reducers and Unequal Tees. Supplied with fixings.

## Riser (Inside) 30°, 45°, 60° & 90°



Code

SW△-IR Angle-Width-Radius-Finish

## Straight Coupler



Code

SW△-CS-Finish

Sold in pairs. Supplied with fixings. 1 Pair per ladder.

△ = Select a system type