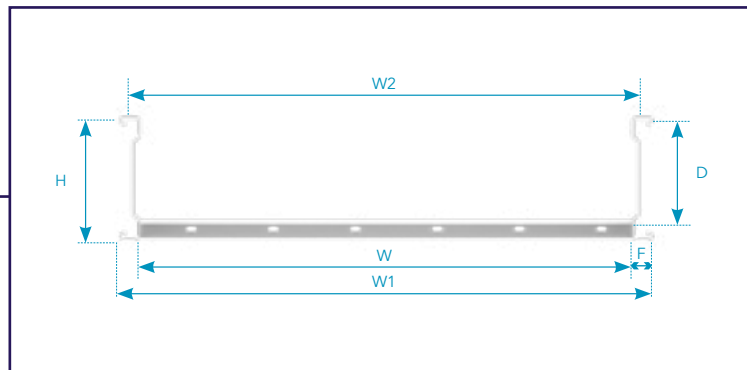
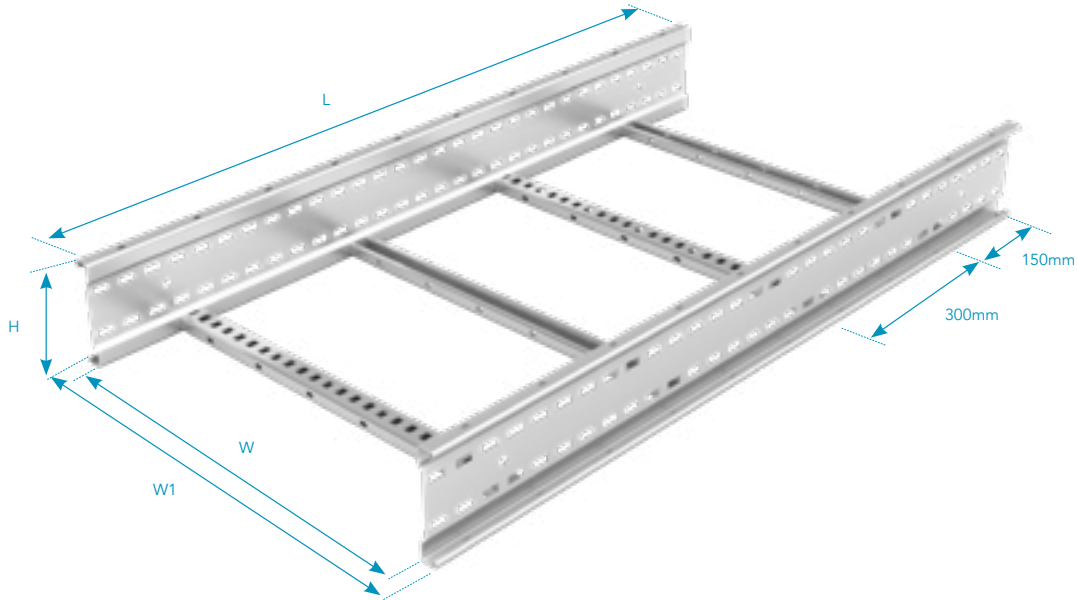


Speedway® SW6 Cable Ladder

Speedway® 6 (SW6) Extra Heavy Duty Cable Ladder is manufactured in 3m lengths as standard, 6m lengths available to order.

Available in standard widths of 150mm, 300mm, 450mm, 600mm, 750mm, 900mm and 1050mm. Widths up to 1200mm are available to order. Rung spacing is 300mm as standard.



Part Number	No. of Rungs	Dimensions (mm)				Weight* (kg)
		W	W1	L	H	
SW6-SL3-150-○	10	150	200	3000	150	17.02
SW6-SL3-300-○		300	350			18.65
SW6-SL3-450-○		450	500			20.28
SW6-SL3-600-○		600	650			21.90
SW6-SL3-750-○		750	800			26.08
SW6-SL3-900-○		900	950			28.22
SW6-SL3-1050-○		1050	1100			30.35

Height	H	150mm
Loading Depth	D	125mm
Ladder Width	W	100mm to 1500mm
Overall Width	W1	W + 50mm
Maximum Internal Width	W2	W + 14mm
Flange Width	F	25mm

○ = Select a finish/material (Refer to page 22)
Weights shown are for Hot Dip Galvanised finish only.

QuickFix Trunking

QuickFix Multi Compartment Trunking

Lighting Trunking

Uniklip Cable Tray

Speedway Cable Ladder Pre-Galv. Cable Ladder

Cable Basket Systems

Channel & Support

Floor Trunking

Bench Outlet & Perimeter Trunking

Steel Conduit (Class 4)

Innovative Design Solutions

Accessories & Supports

Index