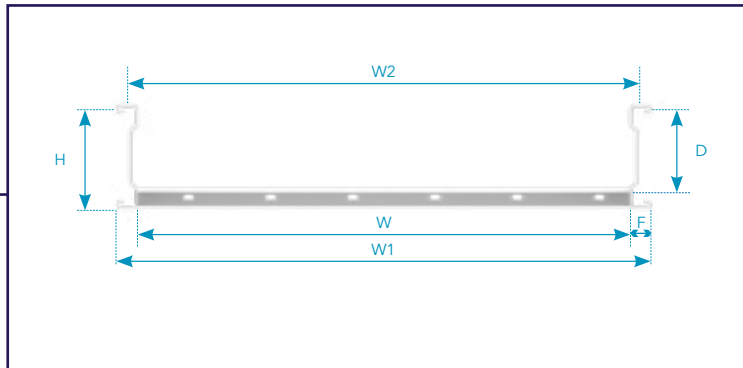
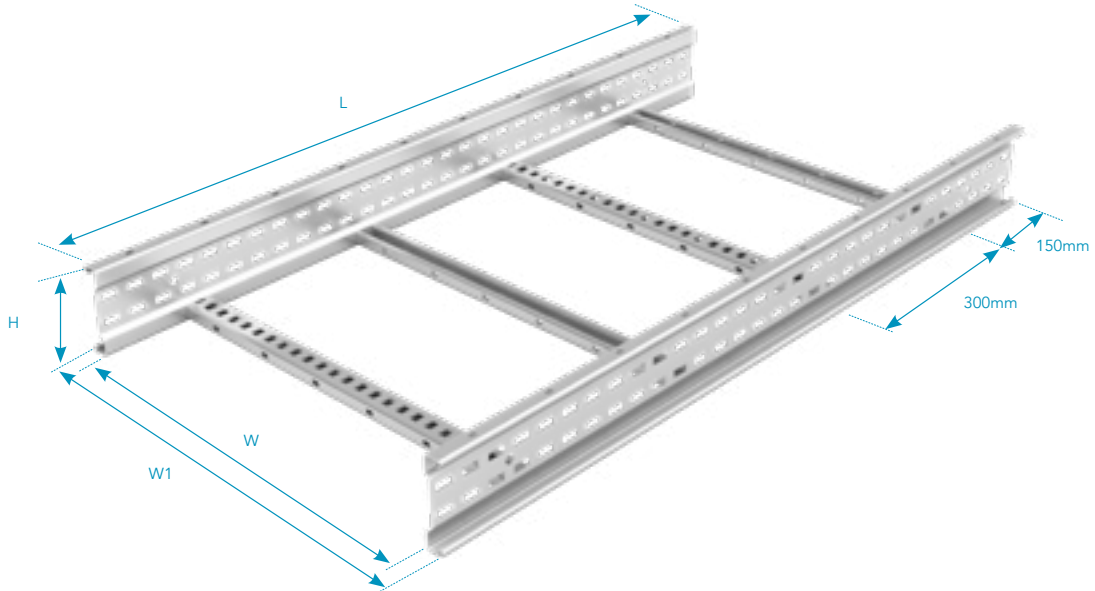


SPEEDWAY® CABLE LADDER SYSTEMS

Speedway® SW5 Cable Ladder

Speedway® 5 (SW5) Heavy Duty Cable Ladder is manufactured in 3m lengths as standard, 6m lengths available to order.

Available in standard widths of 150mm, 300mm, 450mm, 600mm, 750mm, 900mm and 1050mm. Widths up to 1200mm are available to order. Rung spacing is 300mm as standard.



Part Number	No. of Rungs	Dimensions (mm)				Weight* (kg)
		W	W1	L	H	
SW5-SL3-150-○	10	150	200	3000	125	18.53
SW5-SL3-300-○		300	350			20.15
SW5-SL3-450-○		450	500			21.77
SW5-SL3-600-○		600	650			23.40
SW5-SL3-750-○		750	800			27.72
SW5-SL3-900-○		900	950			29.88
SW5-SL3-1050-○		1050	1100			32.05

Height	H	125mm
Loading Depth	D	100mm
Ladder Width	W	100mm to 1500mm
Overall Width	W1	W + 50mm
Maximum Internal Width	W2	W + 14mm
Flange Width	F	25mm

○ = Select a finish/material (Refer to page 22)
Weights shown are for Hot Dip Galvanised finish only.

