

# CHANNEL & SUPPORT SYSTEMS

Standard Finish of Channel Brackets: 

### Tray to Channel Klip




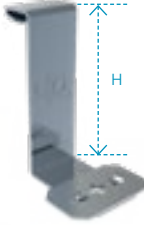

Part Code	Suitable for Tray Type
CHTR25	KLMR
CHTR50	KLHR

### Basket to Channel Klip





Part Code
UFC41M

### Trunking to Channel Bracket

Part Code	H
TKHDB2	50
TKHDB3	75
TKHDB4	100
TKHDB6	150

### Square Plate



Part Code	Size (mm)
325AJ03	6
325AJ05	8
325AJ07	10
325AJ10	12

### Two Hole Plate



Part Code
325AD11

### Three Hole Plate



Part Code
325AC11

### Four Hole Plate



Part Code
325AC13

### Five Hole Plate



Part Code
325AY10

### L Bracket




Part Code
325AG10

### Right Angle Bracket



Part Code
325AS10

### T Bracket



Part Code
325AF13

### Right Angle Bracket



Part Code
325AC09